



model 1920HPSHO

Wall Mount Touchless High Polished Bottle Filler

FEATURES & BENEFITS

BOTTLE FILLER VALVE

Bottle filler incorporates a touchless sensor operated stainless steel solenoid valve controlled by a transformer for handsfree operation. A pressure regulator is used to adjust the bubbler flow according to incoming water pressures.

CONSTRUCTION

Unit is made of 14 gauge Type 304 high polished stainless steel with a satin finish that resists stains and corrosion, and has soft rounded corners. Unit features vandal-resistant bottom plate and dispensing nozzle.

LAMINAR FLOW

Adjustable, splash-free, 1 gpm (3.78 L) laminar water flow.

EFFICIENT & FLEXIBLE INSTALLATION

Unit is designed for retrofit or new construction applications. No drain required for mounting over existing drinking fountain.

DURABLE BUILD

Good for indoor or outdoor applications (in non-freezing areas). Made with 100% Stainless Steel for vandal resistance.

MOUNTING OPTIONS

Select from mounting plate and back panel models to complete installation. Unit can mount on various wall types.



SPECIFICATIONS

Model 1920HPSHO touchless wall mounted bottle filler shall include 100% lead-free waterways, high polished stainless-steel construction, touchless sensor operated stainless steel solenoid valve controlled by a transformer, 1 gpm (3.78 L) laminar flow. It can be used as a stand-alone station or mounted above the Haws 1001HPS and 1011HPS series drinking fountains.

APPLICATIONS

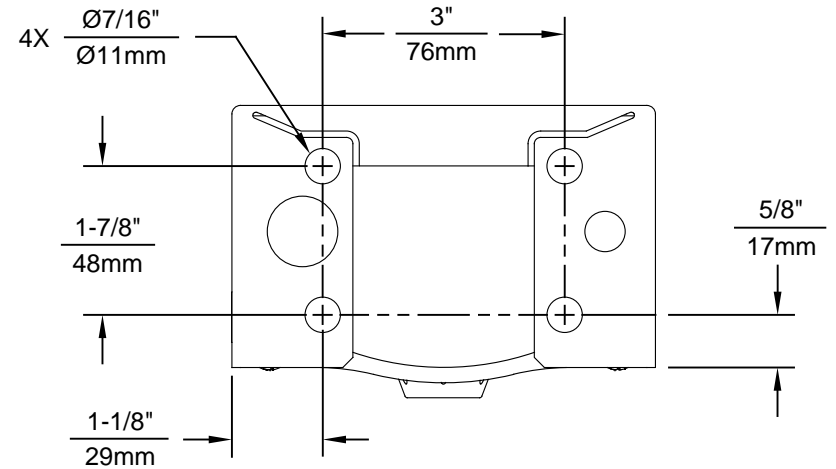
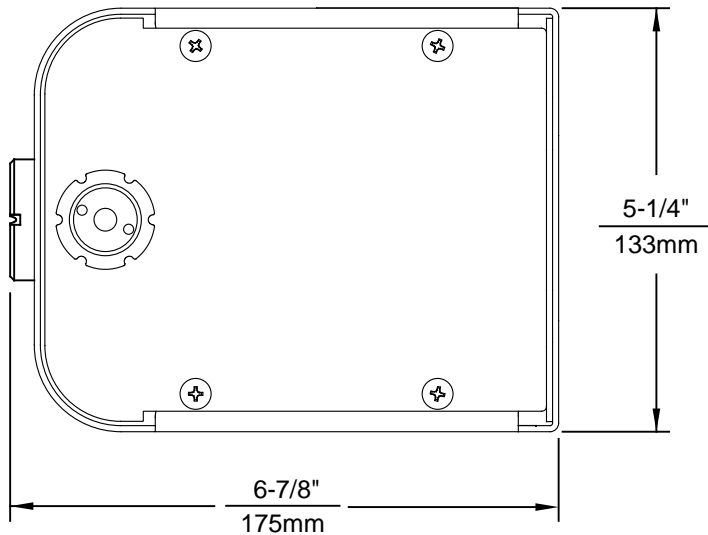
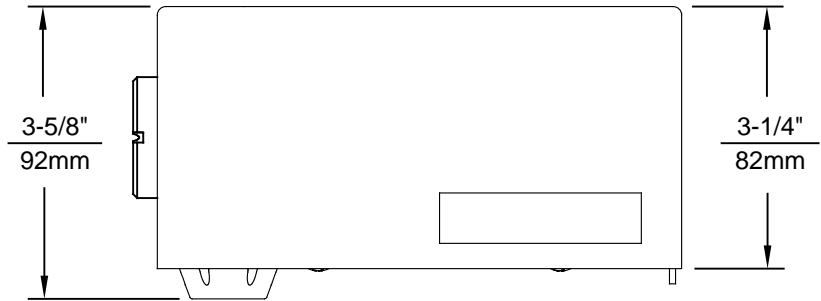
This type of wall mounted bottle filler may be placed in settings such as schools and other locations in and around office buildings with existing fountain installations where the temperature remains above freezing. Haws manufactures drinking fountains and electric water coolers to be lead-free by all known definitions including NSF/ANSI 61, Section 9, NSF/ANSI 372, California Proposition 65, and the Federal Safe Drinking Water Act. Product is compliant to California Health and Safety Code 116875 (AB 1953-2006).

OPTIONS

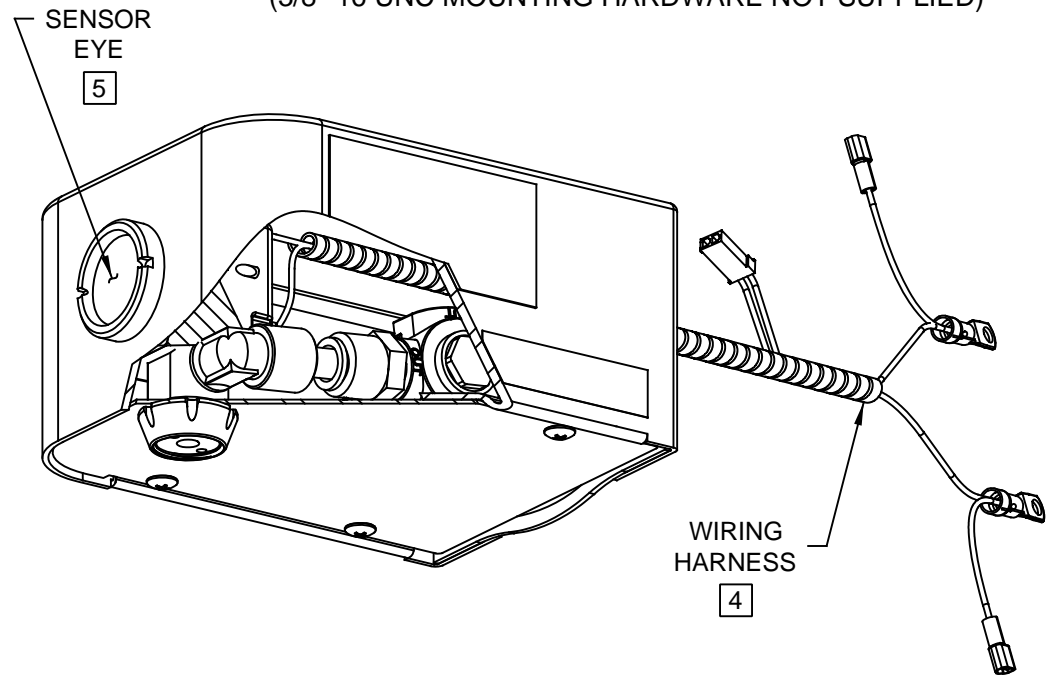
- ❑ Mounting Plate: Model 6700R mounting plate is used with the 1920 series bottle fillers for single or dual fountain retrofit installations.
- ❑ Back Panel: Model BP15HPS, high polished stainless steel 15 inch back panel for Model 1920HPSHO.
- ❑ Back Panel: Model BP32HPS, high polished stainless steel 32" back panel for model 1920HPSHO bottle filler.
- ❑ Mounting Plate: Model 6700 universal mounting plate for most wall mounted fountains. Priced Separately.

For more information, visit www.hawsc.com or call (888) 640-4297.





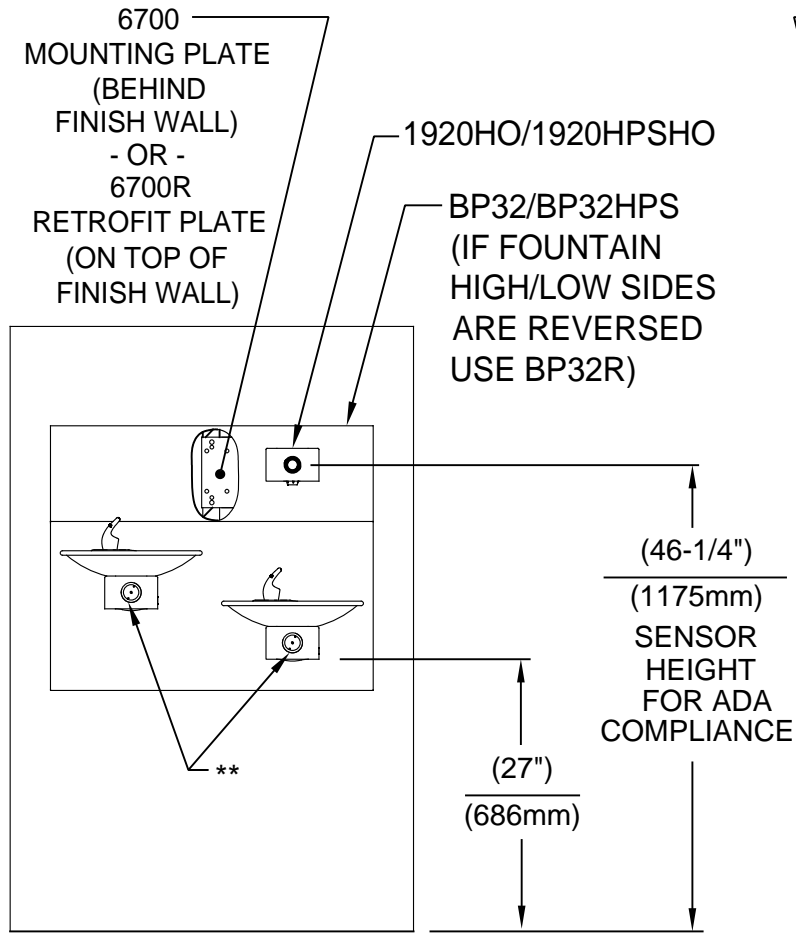
1920HO SERIES MOUNTING HOLE LOCATIONS
(3/8"-16 UNC MOUNTING HARDWARE NOT SUPPLIED)



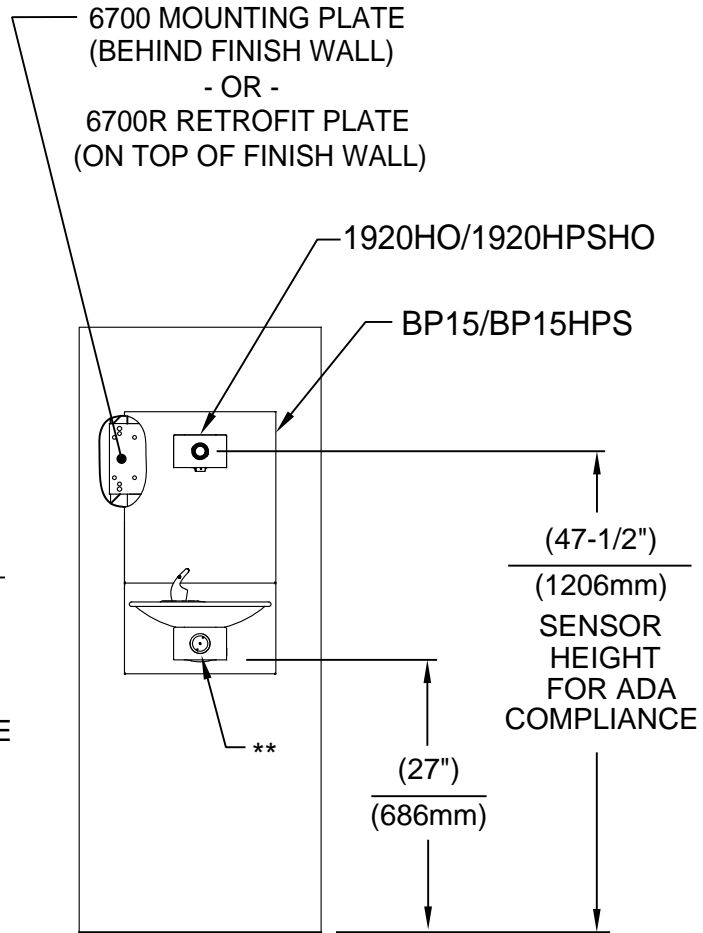
NOTES:

1. SEE SEPARATE INSTALLATION DRAWINGS FOR MOUNTING PLATES AND BACKPANELS
2. WHEN INSTALLING THIS UNIT, LOCAL, STATE OR FEDERAL CODES SHOULD BE ADHERED TO FOR INSTALLATION LOCATIONS, WASTE AND SUPPLY REQUIREMENTS OTHER THAN SHOWN.
3. REFER TO RKHO SERIES OPERATION AND MAINTENANCE INSTRUCTIONS FOR TRANSFORMER/SOLENOID CONNECTIONS AND SENSOR SETUP.
- 4 IF MOUNTING 1920HO SERIES, ALONE OR OVER A NON-HO FOUNTAIN, USE WIRING HARNESS THAT COMES ATTACHED TO HO SENSOR. IF USING 1920HO OVER HO FOUNTAIN, CHANGE OUT WITH JUMPER HARNESS PROVIDED.
- 5 REFER TO RKHO SERIES OPERATION & MAINTENANCE INSTRUCTIONS FOR SENSOR SETUP.

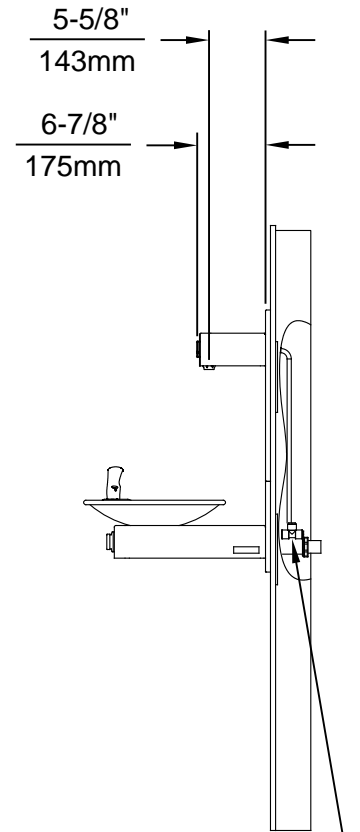
		1455 KLEPPE LANE SPARKS, NEVADA 89431 (775) 359-4712 FAX (775) 359-7424 E-MAIL: HAWS@HAWSCO.COM WEBSITE: WWW.HAWSCO.COM	
		ECN NO. 5574 DRAWN: FV APPROVED: FV	REVISED PER: FV DATE: 08/18/20 DATE: 11/18/20
SCALE: N/A		DRAWING TYPE: INSTALLATION	SIZE: A SHEET 1 OF 6



INSTALLATION ABOVE HAWS 1011 & H1011.8 SERIES



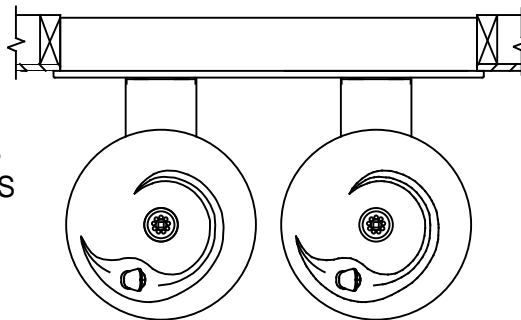
INSTALLATION ABOVE HAWS 1001 & H1001.8 SERIES



3/8" O.D. SUPPLY TUBING AND 3/8" O.D. PUSH-IN TEE SUPPLIED. (CONNECT TO FOUNTAIN SUPPLY LINE)

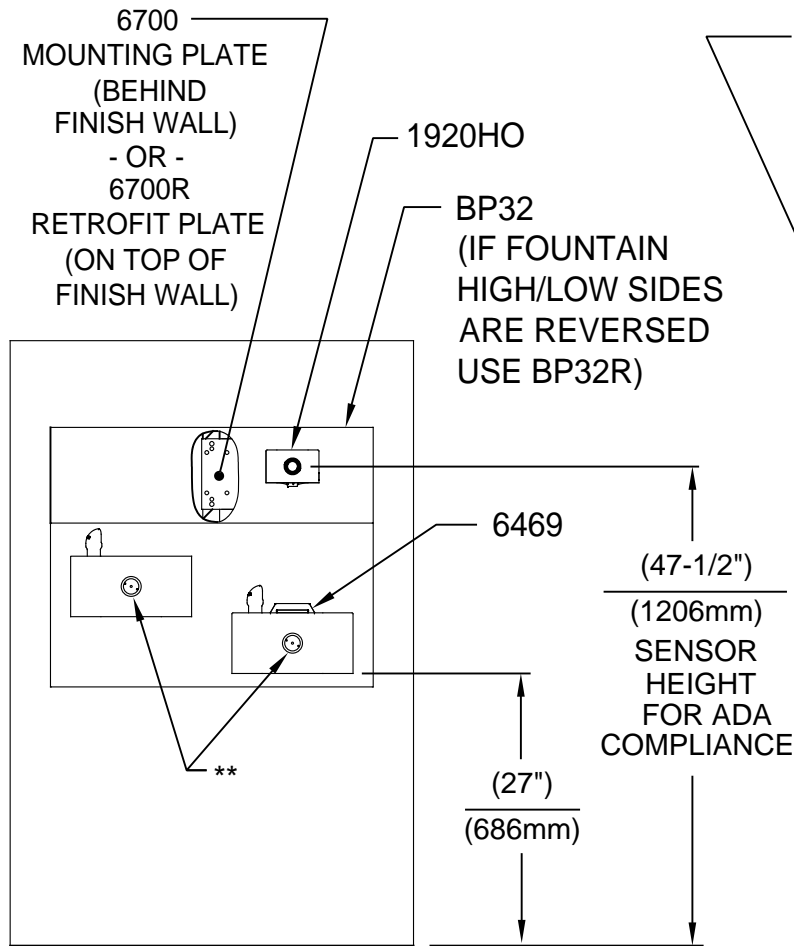
* IF YOUR FOUNTAIN IS THIS STYLE USE THESE DIMENSIONS

1. SEE SEPARATE INSTALLATION DRAWINGS FOR MOUNTING PLATES AND BACKPANELS
2. WHEN INSTALLING THIS UNIT, LOCAL, STATE OR FEDERAL CODES SHOULD BE ADHERED TO FOR INSTALLATION LOCATIONS, WASTE & SUPPLY REQUIREMENTS OTHER THAN SHOWN.

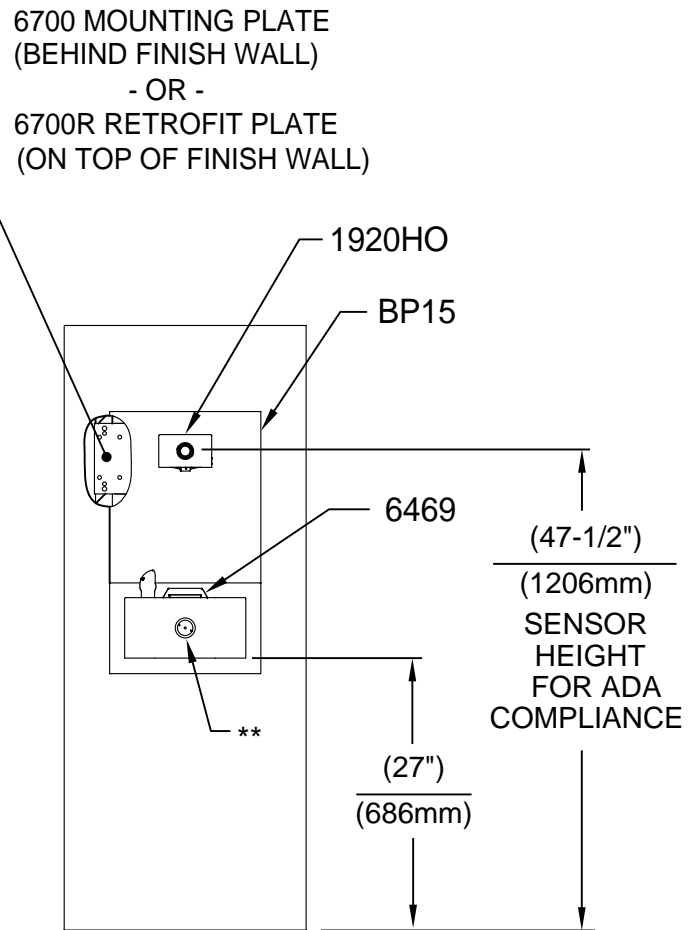


** EXISTING PUSH BUTTON ASSEMBLY SHOWN, CAN BE CONVERTED TO HANDS OFF STYLE, USING RETROFIT KIT MODEL RKHO.

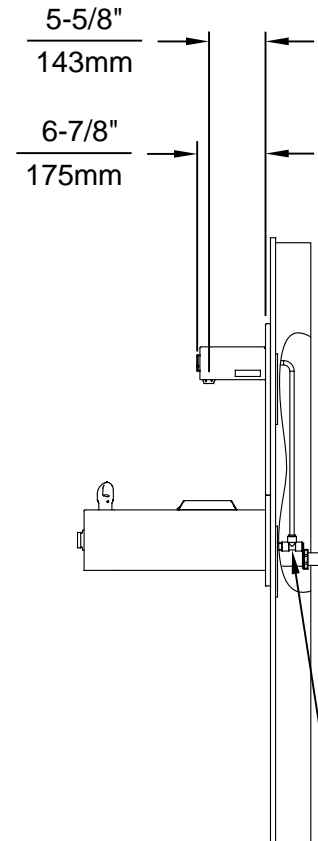
		1455 KLEPPE LANE SPARKS, NEVADA 89431 (775) 359-4712 FAX (775) 359-7424 E-MAIL: HAWS@HAWSCO.COM WEBSITE: WWW.HAWSCO.COM	
ECN NO. 5574 DRAWN: FV APPROVED: FV	REVISED PER: FV DATE: 08/18/20 DATE: 11/18/20	MODEL(S) 1920HO/1920HPSHO/1920WHO	PART NUMBER 0510001063.D REVISION 3
SCALE: N/A		DRAWING TYPE: INSTALLATION	SIZE: A SHEET 2 OF 6



INSTALLATION ABOVE HAWS 1119 & H1119.8 SERIES

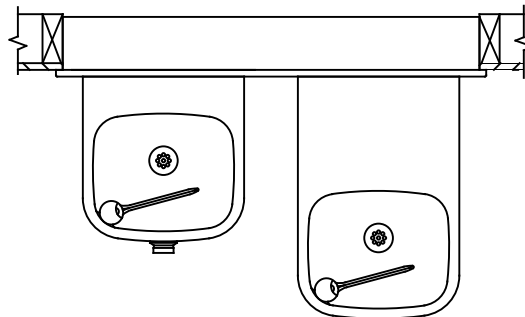


INSTALLATION ABOVE HAWS 1109 & H1109.8 SERIES



* IF YOUR FOUNTAIN IS THIS STYLE USE THESE DIMENSIONS

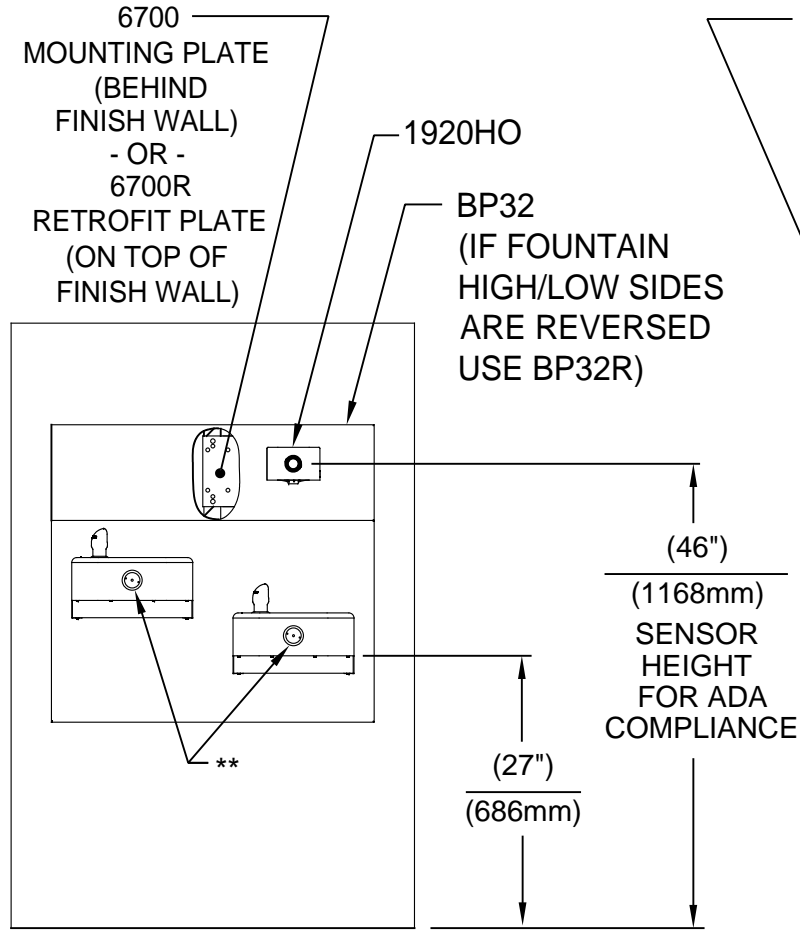
1. SEE SEPARATE INSTALLATION DRAWINGS FOR MOUNTING PLATES, BACKPANELS & DRIP TRAY
2. WHEN INSTALLING THIS UNIT, LOCAL, STATE OR FEDERAL CODES SHOULD BE ADHERED TO FOR INSTALLATION LOCATIONS, WASTE & SUPPLY REQUIREMENTS OTHER THAN SHOWN.



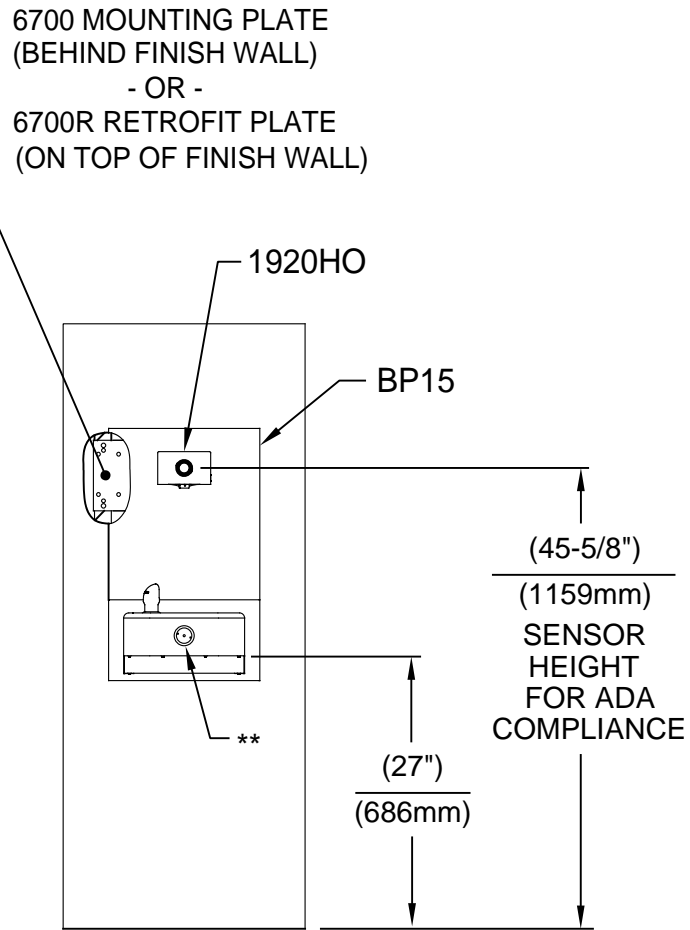
** EXISTING PUSH BUTTON ASSEMBLY SHOWN, CAN BE CONVERTED TO HANDS OFF STYLE, USING RETROFIT KIT MODEL RKHO.

3/8" O.D. SUPPLY TUBING AND 3/8" O.D. PUSH-IN TEE SUPPLIED. (CONNECT TO FOUNTAIN SUPPLY LINE)

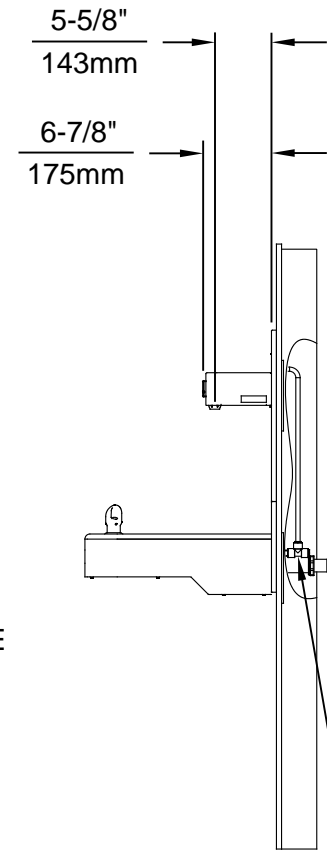
		1455 KLEPPE LANE SPARKS, NEVADA 89431 (775) 359-4712 FAX (775) 359-7424 E-MAIL: HAWS@HAWS.CO.COM WEBSITE: WWW.HAWS.CO.COM	
ECN NO. 5574 DRAWN: FV APPROVED: FV	REVISED PER: ECN: 5622 DATE: 08/18/20 DATE: 11/18/20	BY: FV CHKD.: DP	MODEL(S) 1920HO/1920HPSHO/1920WHO
PART NUMBER 0510001063.D			REVISION 3
SCALE: N/A		DRAWING TYPE: INSTALLATION	SIZE: A SHEET 3 OF 6



INSTALLATION ABOVE HAWS 1117L & H1117.8 SERIES

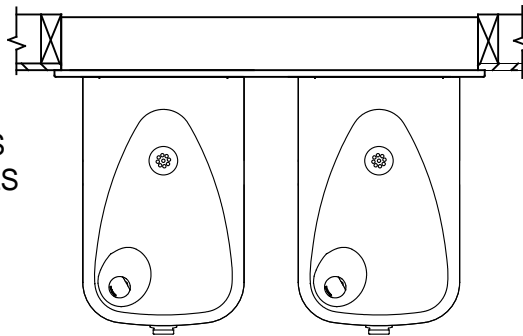


INSTALLATION ABOVE HAWS 1107L & H1107.8 SERIES



* IF YOUR FOUNTAIN IS THIS STYLE USE THESE DIMENSIONS

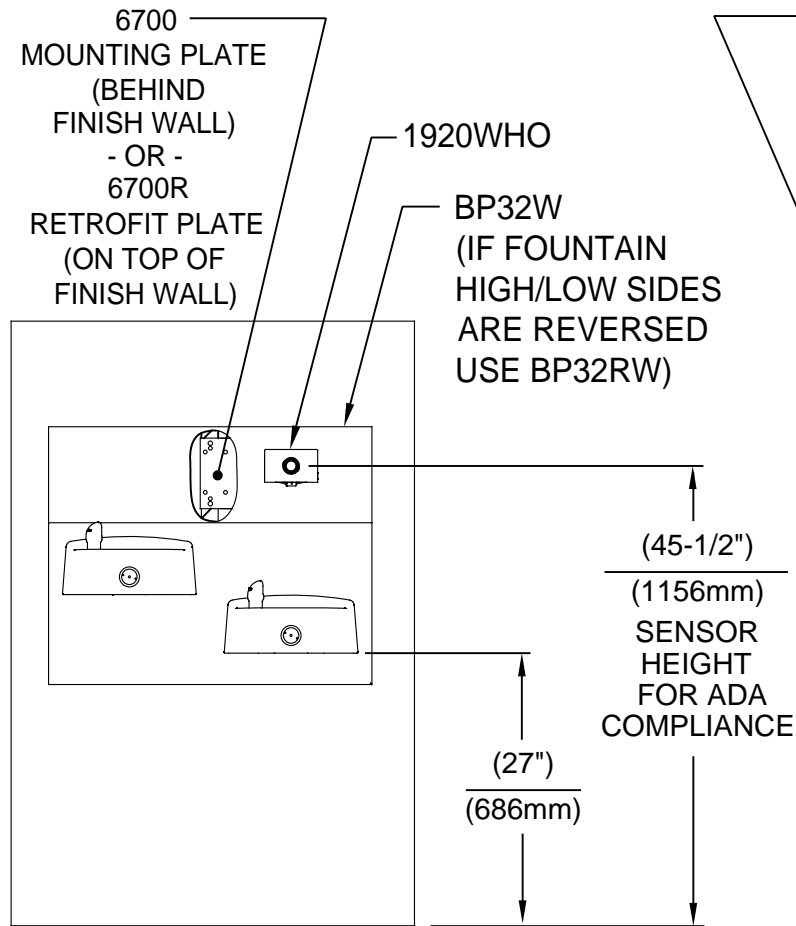
1. SEE SEPARATE INSTALLATION DRAWINGS FOR MOUNTING PLATES AND BACKPANELS
2. WHEN INSTALLING THIS UNIT, LOCAL, STATE OR FEDERAL CODES SHOULD BE ADHERED TO FOR INSTALLATION LOCATIONS, WASTE & SUPPLY REQUIREMENTS OTHER THAN SHOWN.



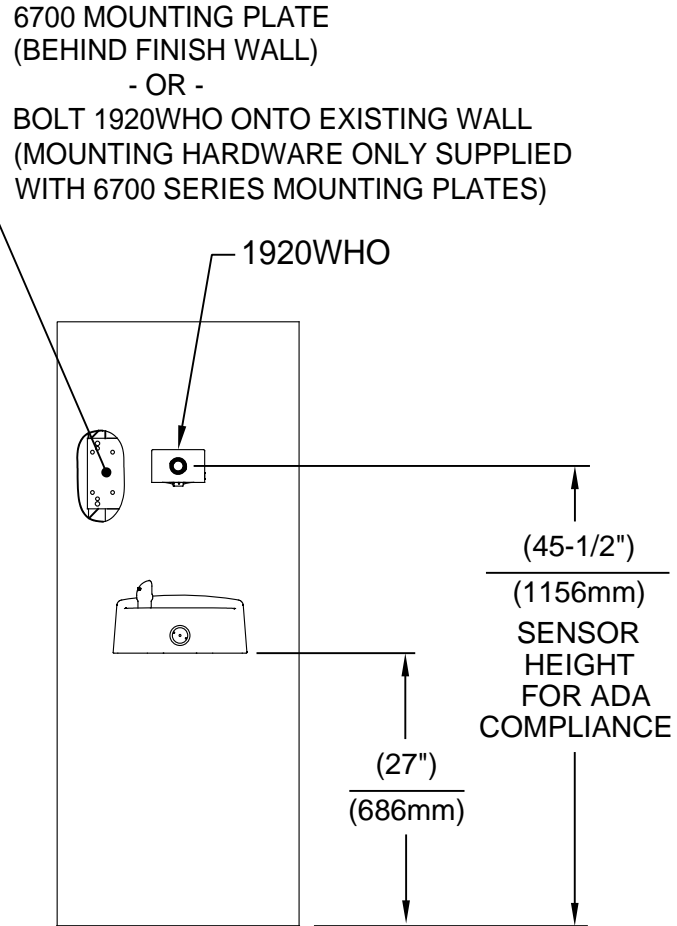
** EXISTING PUSH BUTTON ASSEMBLY SHOWN, CAN BE CONVERTED TO HANDS OFF STYLE, USING RETROFIT KIT MODEL RKHO.

3/8" O.D. SUPPLY TUBING AND 3/8" O.D. PUSH-IN TEE SUPPLIED. (CONNECT TO FOUNTAIN SUPPLY LINE)

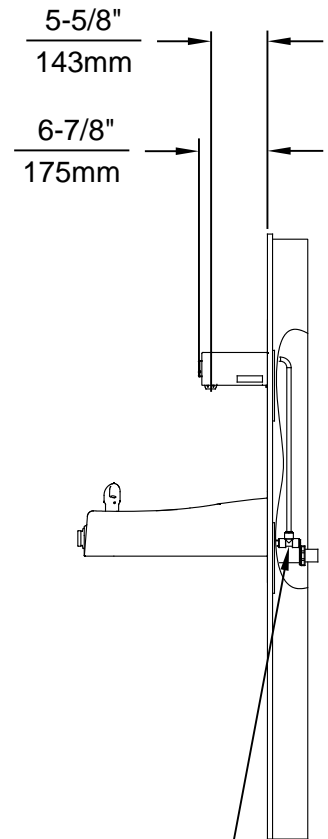
		1455 KLEPPE LANE SPARKS, NEVADA 89431 (775) 359-4712 FAX (775) 359-7424 E-MAIL: HAWS@HAWS.CO.COM WEBSITE: WWW.HAWS.CO.COM	
ECN NO. 5574 DRAWN: FV APPROVED: FV	REVISED PER: FV DATE: 08/18/20 DATE: 11/18/20	MODEL(S) 1920HO/1920HPSHO/1920WHO	PART NUMBER 0510001063.D REVISION 3
SCALE: N/A		DRAWING TYPE: INSTALLATION	SIZE: A SHEET 4 OF 6



INSTALLATION ABOVE HAWS 1501



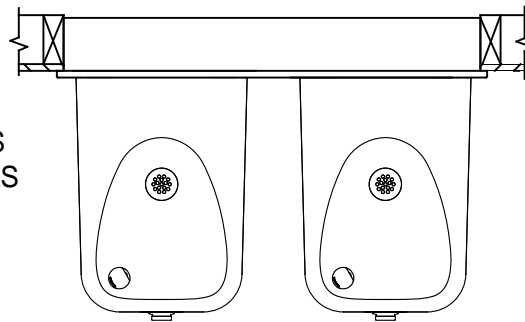
INSTALLATION ABOVE HAWS 1311



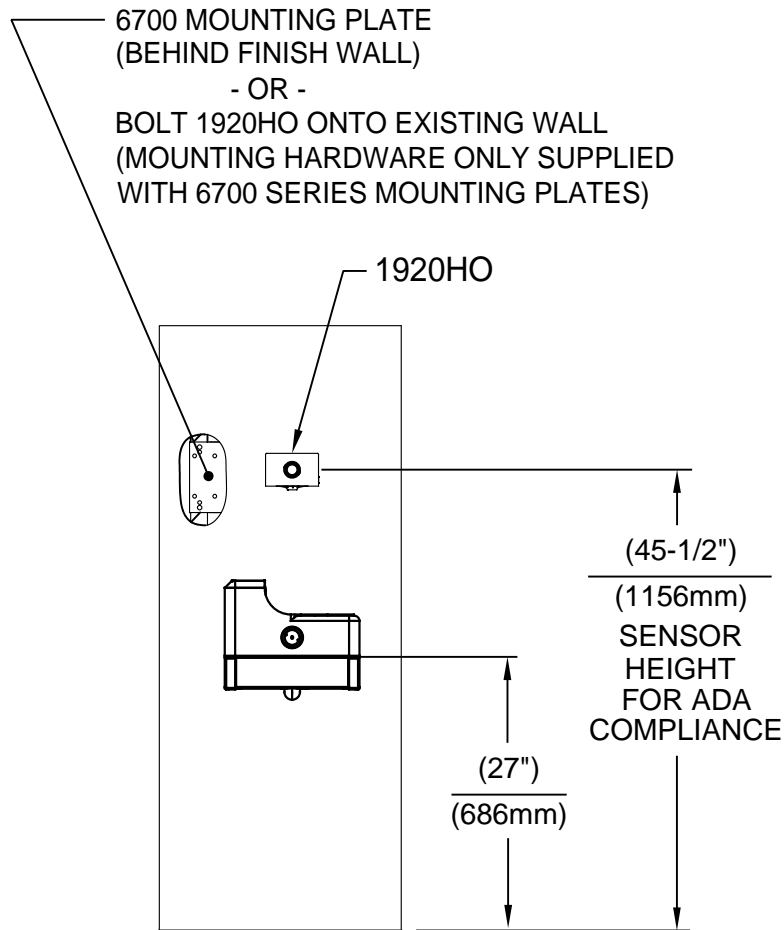
3/8" O.D. SUPPLY TUBING AND 3/8" O.D. PUSH-IN TEE SUPPLIED. (CONNECT TO FOUNTAIN SUPPLY LINE)

* IF YOUR FOUNTAIN IS THIS STYLE USE THESE DIMENSIONS

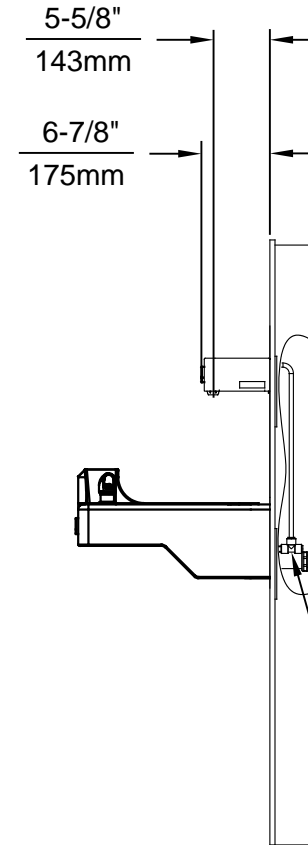
1. SEE SEPERATE INSTALLATION DRAWINGS FOR MOUNTING PLATES AND BACKPANELS
2. WHEN INSTALLING THIS UNIT, LOCAL, STATE OR FEDERAL CODES SHOULD BE ADHERED TO FOR INSTALLATION LOCATIONS, WASTE & SUPPLY REQUIREMENTS OTHER THAN SHOWN.



		1455 KLEPPE LANE SPARKS, NEVADA 89431 (775) 359-4712 FAX (775) 359-7424 E-MAIL: HAWS@HAWSCO.COM WEBSITE: WWW.HAWSCO.COM	
ECN NO. 5574 DRAWN: FV APPROVED: FV	REVISED PER: ECN: 5622 DATE: 08/18/20 DATE: 11/18/20	BY: FV CHKD.: DP	MODEL(S) 1920HO/1920HPSHO/1920WHO
PART NUMBER 0510001063.D			REVISION 3
SCALE: N/A		DRAWING TYPE: INSTALLATION	SIZE: A SHEET 5 OF 6



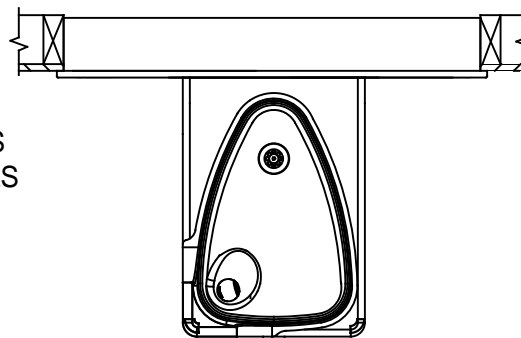
INSTALLATION ABOVE HAWS 1047



3/8" O.D. SUPPLY
TUBING AND 3/8" O.D.
PUSH-IN TEE SUPPLIED.
(CONNECT TO FOUNTAIN
SUPPLY LINE)

* IF YOUR FOUNTAIN IS THIS STYLE USE
THESE DIMENSIONS

1. SEE SEPERATE INSTALLATION DRAWINGS FOR MOUNTING PLATES AND BACKPANELS
2. WHEN INSTALLING THIS UNIT, LOCAL, STATE OR FEDERAL CODES SHOULD BE ADHERED TO FOR INSTALLATION LOCATIONS, WASTE & SUPPLY REQUIREMENTS OTHER THAN SHOWN.



			1455 KLEPPE LANE SPARKS, NEVADA 89431 (775) 359-4712 FAX (775) 359-7424 E-MAIL: HAWS@HAWS.CO.COM WEBSITE: WWW.HAWS.CO.COM	
ECN NO. 5574	REVISED PER ECN: 5622	BY: FV	MODEL(S) 1920HO/1920HPSHO/1920WHO	PART NUMBER 0510001063.D
DRAWN: FV	DATE: 08/18/20	CHKD.: DP		REVISION 3
APPROVED: FV	DATE: 11/18/20	SCALE: N/A	DRAWING TYPE: INSTALLATION	SIZE: A SHEET 6 OF 6